

# L 330 S

Anthracite  
EAN 4007841 053079  
Article number 053079



LED

30 years (0 4,5h / day)

3000 K

3000K warm-white



infrared sensor  
360°



max. 7 m



IP44



2 - 1000 lux



5 sec - 15 min



Light source not  
exchangeable



Control gear not  
exchangeable



soft light start

## Function description

Classically beautiful. And sturdy. The round L 330 S sensor-switched outdoor LED light illuminates driveways, garages or stairs with pleasant, even light while creating an inviting atmosphere. The base is made of weatherproof plastic, the diffuser of impact-resistant PMMA (IK10). With 360° infrared mini sensor and four programmes. With 815 lm at only 8,4 W. 3000 K colour temperature. Several lights can be interconnected by cable.

## Technical specifications

Dimensions (L x W x H)	109 x 253 x 270 mm
With lamp	Yes, STEINEL LED system
Manufacturer's Warranty	5 years
Settings via	Potentiometers
With remote control	No
Version	Anthracite
PU1, EAN	4007841053079
Application, place	Outdoors
Application, room	outdoors, front door, all round the building, courtyard & driveway
Colour	Anthracite
Installation site	wall
Impact resistance	IK10
IP-rating	IP44
Protection class	II
Ambient temperature	from -20 up to 35 °C
Housing material	Plastic

Cover material	shrouds
Luminous flux total product	815 lm
Measured luminous flux (360°)	815 lm
Total product efficiency	97 lm/W
Colour temperature	3000 K
Colour variation LED	SDCM3
Lamp	LED cannot be replaced
LED life expectancy (max. °C)	50000 h
Service life LED L70B50 (25°)	> 60000 h
Base	without
LED cooling system	Passive Thermo Control
Soft light start	Yes
Continuous light	selectable, 4h
Functions	4 programme settings geared to practical needs, can be selected on removable sensor module
Twilight setting	2 – 1000 lx
Time setting	5 s – 15 Min.

# L 330 S

Anthracite  
 EAN 4007841 053079  
 Article number 053079



## Technical specifications

Cover material	Plastic, opal
Mains power supply	220 – 240 V / 50 – 60 Hz
Output	8,4 W
Average rated life expectancy of power supply unit at 25°C	> 60000 h
Mounting height max.	2,50 m
Slave modeselectable	No
Sneak-by guard	Yes
Capability of masking out individual segments	Yes
Electronic scalability	No
Mechanical scalability	No
Reach, radial	r = 2 m (13 m <sup>2</sup> )
Reach, tangential	r = 7 m (154 m <sup>2</sup> )
Photo-cell controller	Yes

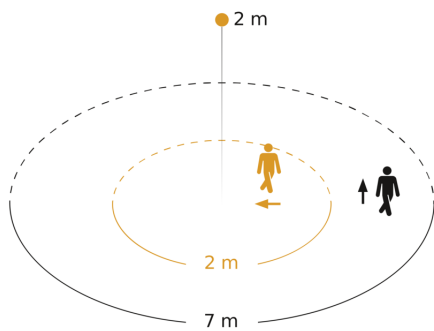
Basic light level function	Yes
Basic light level function time	10/30 min, all night
Interconnection	Yes
Type of interconnection	Master/master
Basic light level function in per cent	10 %
Basic light level function percentage, from	10 %
Basic light level function percentage, up to	10 %
Interconnection via	Cable
Colour Rendering Index CRI	= 82
Optimum mounting height	2 m
Detection angle	360 °
Product category	Sensor-switched LED outdoor light

# L 330 S

Anthracite  
 EAN 4007841 053079  
 Article number 053079

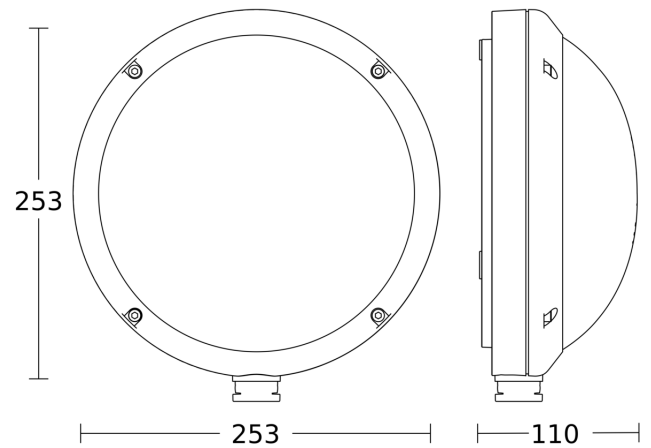


## Detection Zone

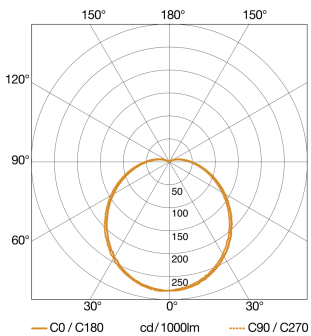


Possible mounting height: 1,80 m - 2,50 m  
 Orange: radial  
 Black: tangential

## Dimension Drawing

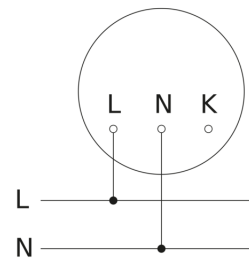


## Light Distribution Curve



<b>Output</b>	8,4 W
<b>With lamp</b>	Yes, STEINEL LED system
<b>Lamp</b>	LED cannot be replaced
<b>Measured luminous flux (360°)</b>	815 lm
<b>Colour temperature</b>	3000 K
<b>Colour Rendering Index</b>	= 82
<b>LED life expectancy (max. °C)</b>	50000 h
<b>LED cooling system</b>	Passive Thermo Control

## Master circuit diagram



# L 330 S

Anthracite

EAN 4007841 053079

Article number 053079

## Master/master interconnection circuit diagram

